

SC6804A (68 CHARACTERS x 4 LINES)

FEATURES

- 5 x 7 DOTS WITH CURSOR
- BUILT-IN CONTROLLER (ST7070 OR EQUIVALENT)
- 3.3V / 5.0V POWER SUPPLY
- 1/32 DUTY CYCLE
- 8-BIT PARALLEL INTERFACE

MECHANICAL DATA

ITEM	DIMENSIONS	UNIT
Module Size (W x H x T)	275.0 x 48.0 x 13.5	mm
Viewing Area (W x H)	236.0 x 29.5	mm
Character Size (W x H)	2.70 x 5.15	mm
Character Pitch (W x H)	3.20 x 6.65	mm
Dot Size (W x H)	0.50 x 0.60	mm
Dot Pitch (W x H)	0.55 x 0.65	mm

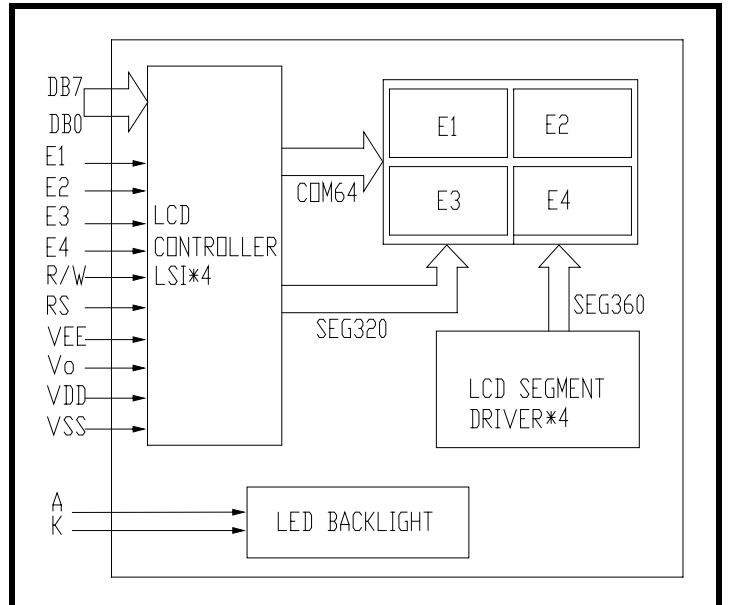
INTERFACE PIN CONNECTIONS

NO.	SYMBOL	FUNCTION
1	VSS	Power Supply Ground
2	VDD	Power Supply Voltage
3	Vo	Contrast Adjustment Voltage
4	R/W	Select read or write
5	RS	Select registers
6~9	E1~E4	Enable Signal
10~17	DB0~DB7	Data bus line
18	VEE	Positive Voltage Output
19	A	LED Power Supply (+)
20	K	LED Power Supply (-)

ELECTRICAL CHARACTERISTICS

ITEM	SYMBOL	CONDITION	MIN.	TYP.	MAX.	UNIT
LCD Operating Voltage	VDD-Vo	T=0	-	5.6	-	V
		T=25	-	5.2	-	V
		T=50	-	4.8	-	V
Supply Voltage	VDD-VSS	-	2.7	5	5.5	V
Supply Current	IDD	-	-	5.2	8	mA
Input Voltage	"HIGH" Level	V _{IH}	-	0.7V _{DD}	-	V _{DD} V
	"LOW" Level	V _{IL}	-	-0.3	-	0.6 V
Output Voltage	"HIGH" Level	V _{OH}	-	0.7V _{DD}	-	V
	"LOW" Level	V _{OL}	-	-	-	0.2V _{DD} V

BLOCK DIAGRAM



EXTERNAL DIMENSIONS

