



SC4004C (40 CHARACTERS x 4 LINES)

FEATURES

- 5 x 7 DOTS WITH CURSOR
- BUILT-IN CONTROLLER (ST7066 OR EQUIVALENT)
- 3.3V / 5.0V POWER SUPPLY
- 1/16 DUTY CYCLE
- 8-BIT PARALLEL INTERFACE

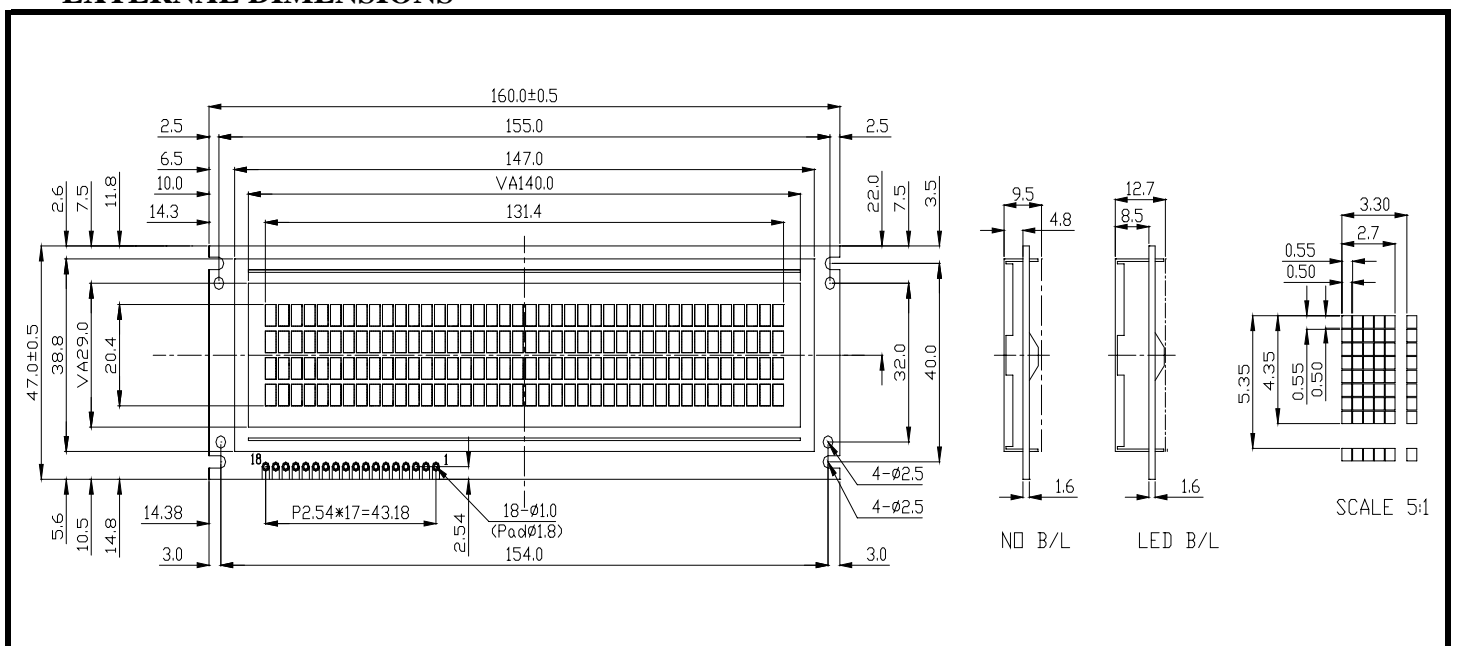
MECHANICAL DATA

ITEM	DIMENSIONS	UNIT
Module Size (W x H x T)	160.0 x 47.0 x 9.5 (12.7 LED)	mm
Viewing Area (W x H)	140.0 x 29.0	mm
Character Size (W x H)	2.70 x 4.35	mm
Character Pitch (W x H)	3.30 x 5.35	mm
Dot Size (W x H)	0.50 x 0.50	mm
Dot Pitch (W x H)	0.55 x 0.55	mm

INTERFACE PIN CONNECTIONS

NO.	SYMBOL	FUNCTION	NO.	SYMBOL	FUNCTION
1	VSS	Supply Ground	10	DB2	Data Bit 2
2	VDD	Supply Voltage	11	DB3	Data Bit 3
3	Vo	Contrast Adj.	12	DB4	Data Bit 4
4	RS	Register Select	13	DB5	Data Bit 5
5	R/W	Read/Write	14	DB6	Data Bit 6
6	E1	Enable IC1	15	DB7	Data Bit 7
7	E2	Enable IC2	16	A	LED Power
8	DB0	Data Bit 0	17	K	LED Power
9	DB1	Data Bit 1	18	NC	No Control

EXTERNAL DIMENSIONS



ELECTRICAL CHARACTERISTICS

ITEM	SYMBOL	CONDITION	MIN.	TYP.	MAX.	UNIT
LCD Operating Voltage	V _{DD-Vo}	T=0	-	4.8	-	V
		T=25	-	4.5	-	V
		T=50	-	4.2	-	V
Supply Voltage	V _{DD-VSS}	-	2.7	5	5.5	V
Supply Current	I _{DD}	-	-	6.0	10	mA
Input Voltage	"HIGH" Level	V _{IH}	-	2.2	-	V _{DD} V
	"LOW" Level	V _{IL}	-	0	-	0.6 V
Output Voltage	"HIGH" Level	V _{OH}	-	2.4	-	V
	"LOW" Level	V _{OL}	-	-	-	0.4 V

BLOCK DIAGRAM

