

SC2004H (20 CHARACTERS x 4 LINES)

FEATURES

- 5 x 7 DOTS WITH CURSOR
- BUILT-IN CONTROLLER (ST7066 OR EQUIVALENT)
- 3.3V / 5.0V POWER SUPPLY
- 1/16 DUTY CYCLE
- 8-BIT PARALLEL INTERFACE

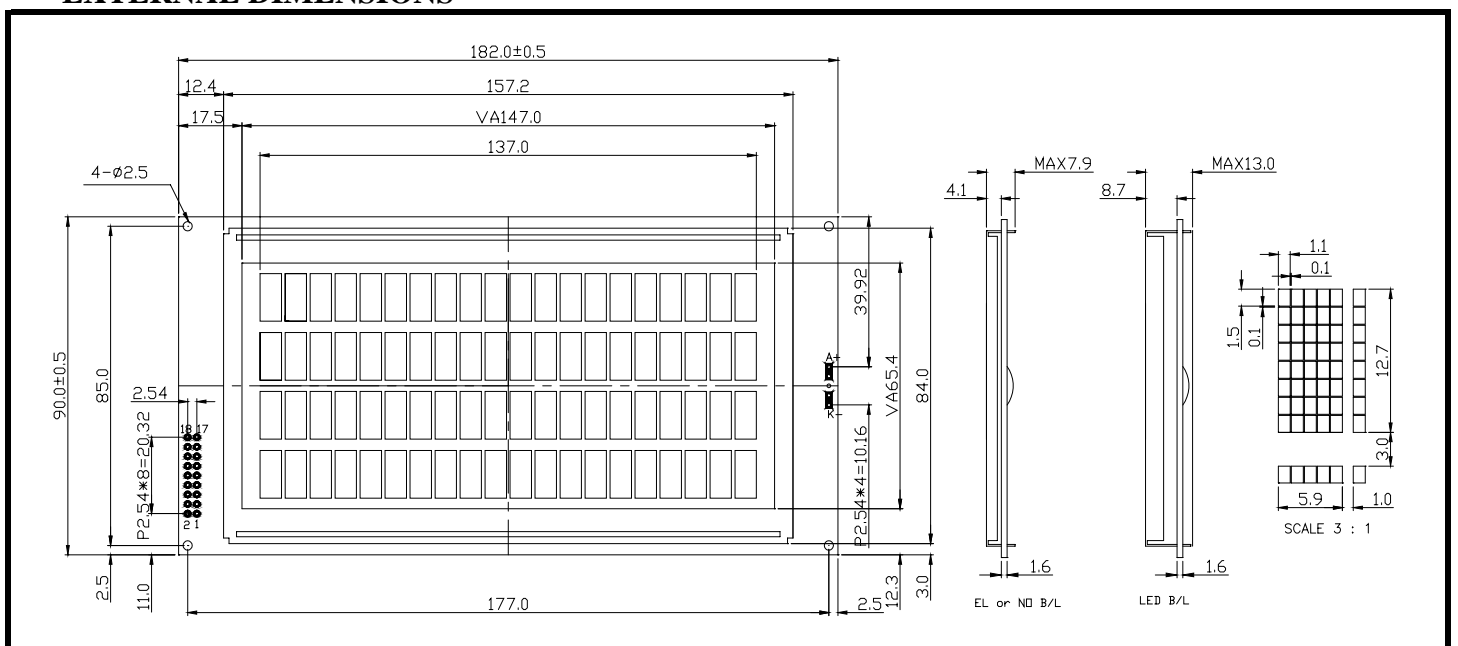
MECHANICAL DATA

ITEM	DIMENSIONS	UNIT
Module Size (W x H x T)	182.0 x 90.0 x 7.9 (13.0 LED)	mm
Viewing Area (W x H)	147.0 x 65.4	mm
Character Size (W x H)	5.9 x 12.7	mm
Character Pitch (W x H)	6.9 x 15.7	mm
Dot Size (W x H)	1.1 x 1.5	mm
Dot Pitch (W x H)	1.2 x 1.6	mm

INTERFACE PIN CONNECTIONS

NO.	SYMBOL	FUNCTION	NO.	SYMBOL	FUNCTION
1	VSS	Supply Ground	10	DB3	Data Bit 3
2	VDD	Supply Voltage	11	DB4	Data Bit 4
3	Vo	Contrast Adj.	12	DB5	Data Bit 5
4	RS	Register Select	13	DB6	Data Bit 6
5	R/W	Read/Write	14	DB7	Data Bit 7
6	E	Enable Signal	15	A	LED Power
7	DB0	Data Bit 0	16	K	LED Power
8	DB1	Data Bit 1	17	NC	No Control
9	DB2	Data Bit 2	18	NC	No Control

EXTERNAL DIMENSIONS



ELECTRICAL CHARACTERISTICS

ITEM	SYMBOL	CONDITION	MIN.	TYP.	MAX.	UNIT
LCD Operating Voltage	V _{DD-Vo}	T=0	-	4.8	-	V
		T=25	-	4.5	-	V
		T=50	-	4.2	-	V
Supply Voltage	V _{DD-VSS}	-	2.7	5	5.5	V
Supply Current	I _{DD}	-	-	4.2	7	mA
Input Voltage	"HIGH" Level	V _{IH}	-	2.2	-	V _{DD} V
	"LOW" Level	V _{IL}	-	0	-	0.6 V
Output Voltage	"HIGH" Level	V _{OH}	-	2.4	-	V
	"LOW" Level	V _{OL}	-	-	-	0.4 V

BLOCK DIAGRAM

