

BC0802B



Feature

1. COB with metal frame
2. 5x7 dots with cursor
3. Built-in controller ST7066 or equivalent
4. + 5V single power supply
5. 1/16 duty cycle
6. LED B/L pins: 1/2
7. Option: array LED B/L
8. No Negative Voltage Option



Mechanical Data

Item	Standard Value	Unit
Module Dimension	40.0 x 20.0	mm
Viewing Area	36.3 x 13.9	mm
Dot Size	0.6 x 0.6	mm
Character Size	3.12 x 5.01	mm

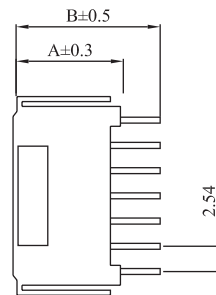
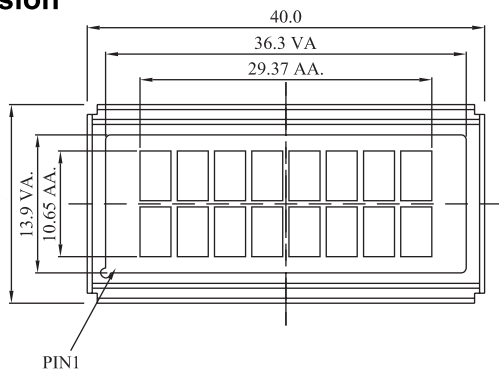
Pin Assignment

Pin	Symbol	Function
1	Vss	GND
2	Vdd	+5V (+3V option)
3	Vo	Contrast adjustment
4	RS	H/L register select signal
5	R/W	H/L read/write signal
6	E	H --> L enable signal
7~14	DB0~7	H/L data bus line

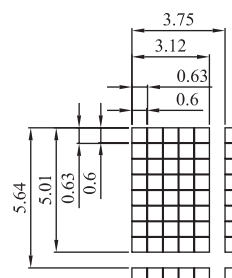
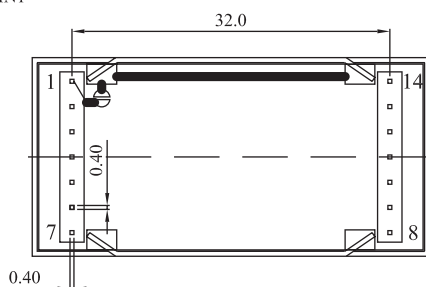
Electronic Characteristics

Item	Symbol	Condition	Typical Value	Unit
Input Voltage	Vdd	Vdd = +5V	5.0	V
Supply Current	Idd	Vdd = +5V	1.5	mA
LCD Driving Voltage	Vdd-Vo	25°C	4.0	V
LED Forward Voltage	Vf	25°C	4.0	V
LED Forward Current	If	25°C	100	mA

Dimension



	A	B
NO B/L	7.8	11.5
LED B/L	10.8	14.5



DETAIL DOTS
SCALE 5:1