

# CONNECTORS MANUFACTURER



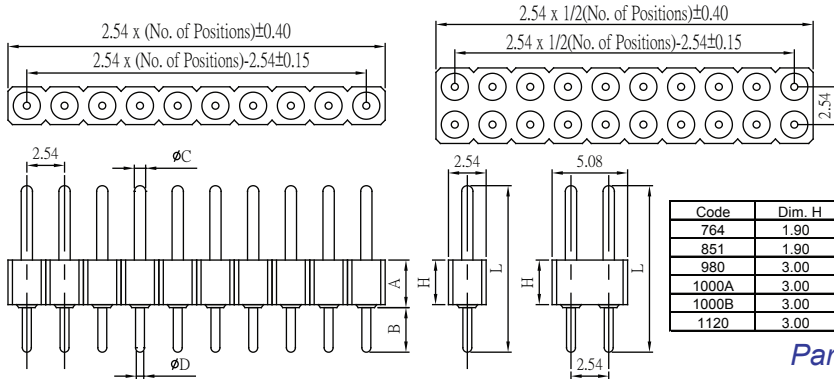
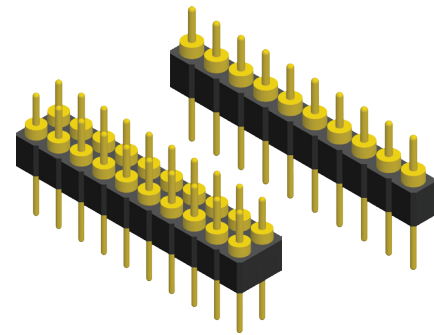
## Machine Pin Header Straight Type 2.54mm

### SPECIFICATION

Current Rate:3 AMP  
 Insulation Resistance:1000MΩ Min  
 Contact Resistance:10mΩ Max  
 Dielectric Voltage:1000V AC for one minute  
 Operation Temperature:-40°C to +105°C

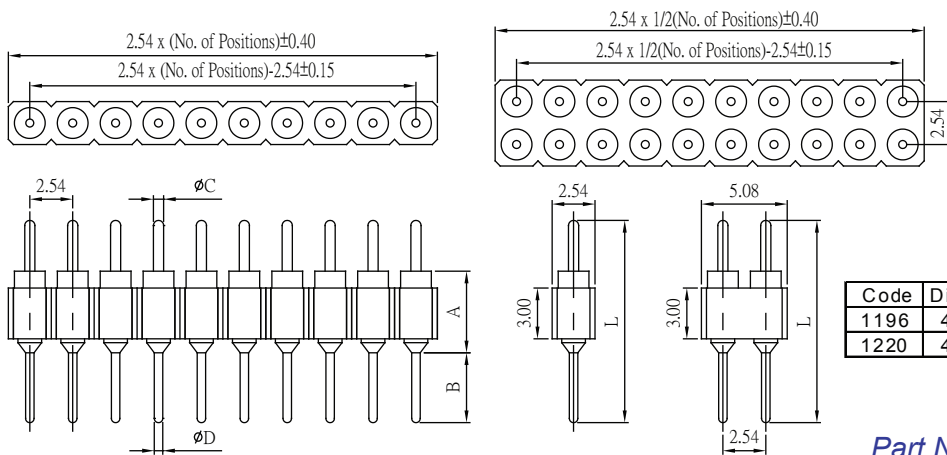
### MATERIAL

Insulator:Polyester,UL 94V-0  
 ◎Standard:PPS  
 Contact Pin:Copper Alloy  
 Contact Plating:Gold Flash all over



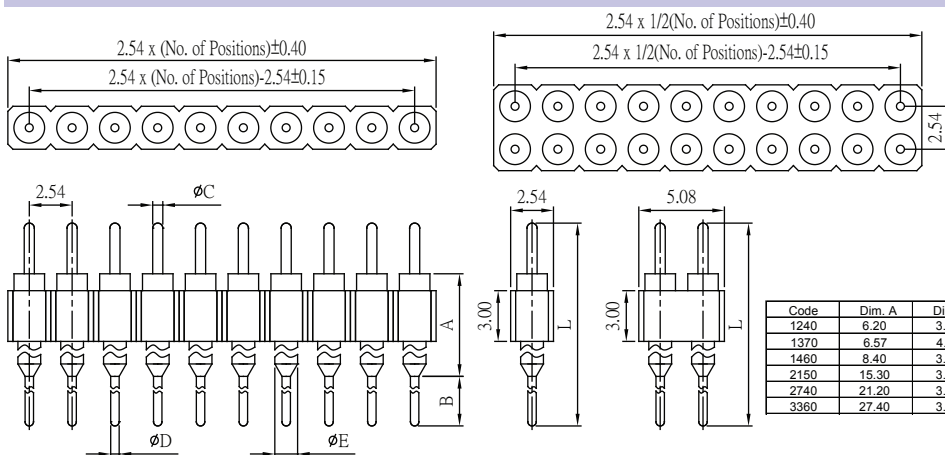
Code	Dim. H	Dim. A	Dim. B	Dim. C	Dim. D	Dim. L
764	1.90	1.90	2.74	0.47	0.47	7.64
851	1.90	2.16	3.18	0.49	0.49	8.51
980	3.00	3.20	3.00	0.76	0.60	9.80
1000A	3.00	3.40	3.00	0.48	0.48	10.00
1000B	3.00	4.10	2.90	0.45	0.45	10.00
1120	3.00	3.20	3.00	0.76	0.60	11.20

Part No.:MH1S19-1/2XX-XXX-U  
 MH1S30-1/2XX-XXX-U



Code	Dim. A	Dim. B	Dim. C	Dim. D	Dim. L
1196	4.96	4.00	0.60	0.46	11.96
1220	4.10	3.80	0.60	0.49	12.20

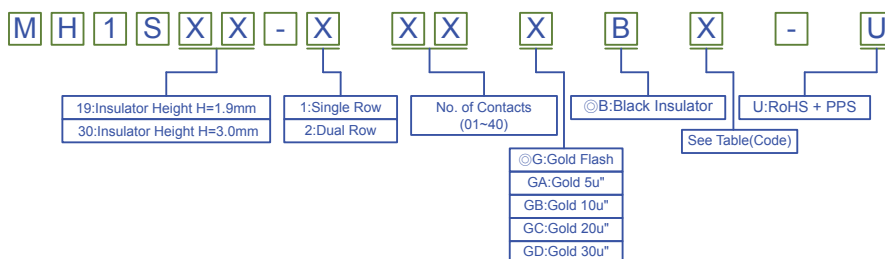
Part No.:MH1S30-1/2XX-XXX-U



Code	Dim. A	Dim. B	Dim. C	Dim. D	Dim. E	Dim. L
1240	6.20	3.20	0.47	0.67	1.18	12.40
1370	6.57	4.13	0.60	0.50	1.35	13.70
1460	8.40	3.20	0.47	0.67	1.18	14.60
2150	15.30	3.20	0.47	0.67	1.18	21.50
2740	21.20	3.20	0.47	0.67	1.18	27.40
3360	27.40	3.20	0.47	0.67	1.18	33.60

Part No.:MH1S30-1/2XX-XXX-U

## ORDER INFORMATION



◎:Standard Recommended

T-7

Machine Pin Socket

ROHS

CONNECTORS MANUFACTURER