

ORDER INFORMATION

2 6 4 X - X X - X - X - X X - X L
 X - L
 L

N/Without Ear
 Number of position (4P/6P/8P/10P)
 Number of contact (2C/4C/6C/8C/10C)
 Gold Plating
 G3.50"
 G4.00"
 G3.150"
 G3.300"
 G3.500"
 B/Back Insulator
 K/With keyway (8P/10P only)
 D/with latch (6P only)
 L/RoHS + P.B.T

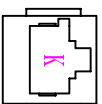
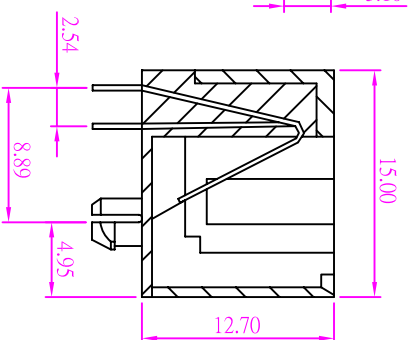
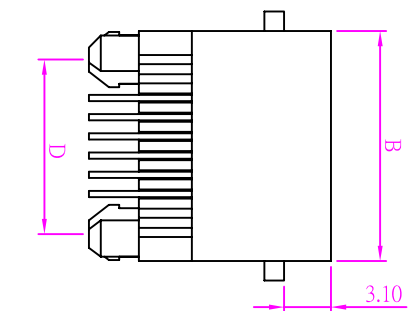
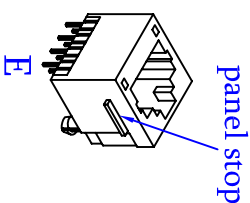
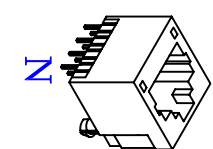
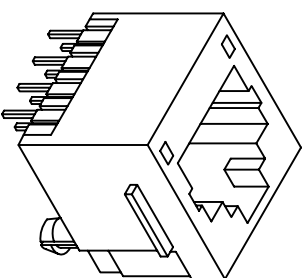
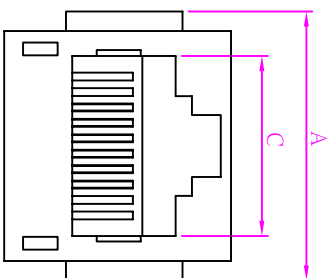
◎Standard Recommend



SPECIFICATION

Current Rate: 1 AMP
 Insulation Resistance: 1000M Ω Min.
 Contact Resistance: 50m Ω Max.
 Dielectric voltage: 30V AC for one minute
 Operation Temperature: -6°C to +80 °C
MATERIAL & FINISH
 Housing & Insert: P.B.T, UL94V-0, black
 Conductor: 0.35 x 0.42 mm phosphor bronze,
 Gold plated over Nickel on contact area,
 Tin plated over Nickel on solder area.

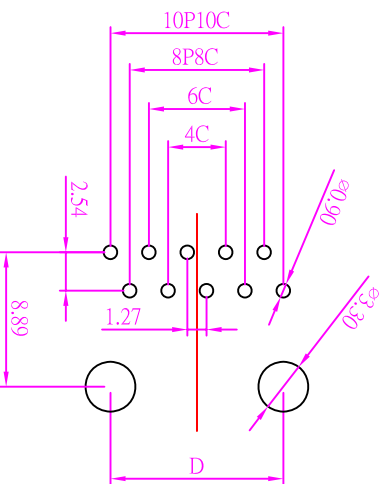
position	conductor	A	B	C	D
4P	4C	14.00	11.20	7.90	7.62
6P	2C/4C/6C	16.00	13.20	9.90	10.16
(8P)6P	2C/4C/6C	18.00	15.20	9.90	11.43
8P	4C/6C/8C	18.00	15.20	11.90	11.43
10P	10C	18.00	15.20	11.90	11.43



K-keyway
(8P, 10P only)



D-offset latch
(6P only)



Recommended PCB Layout
(PCB TOLERANCE ±0.05)

AREA	REV.	DESCRIPTION	DATE

		MODULAR JACK TOP ENTRY THROUGH HOLE H=12.7 W=15.0	
品名	264-L	日期	06/16/2006
品號	264-L	繪圖	Kent
圖號	264-L	核對	Paul
客戶品號		比例	2:1
CUSTOMER P/N		單位	mm
公差	±0.25 .XX ±0.2	核准	James
TOLERANCE			